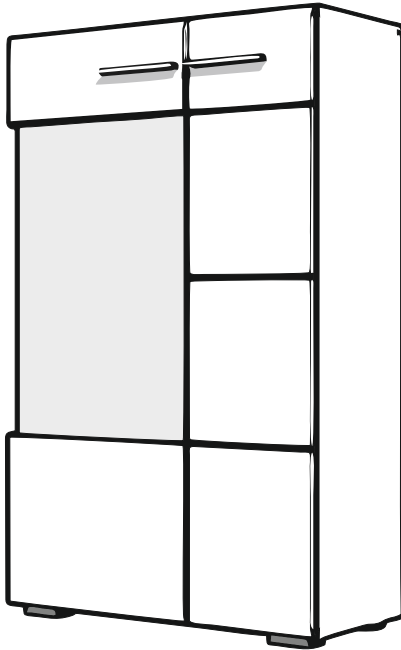
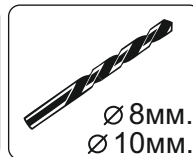
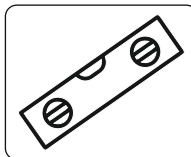
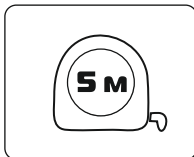
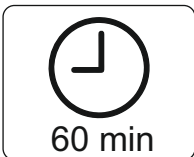
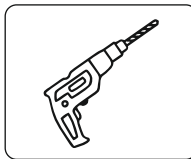
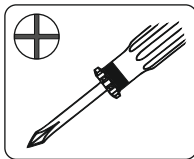
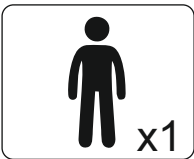


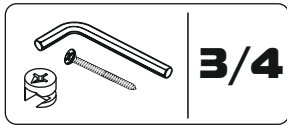
Nevada

Гостиная Невада



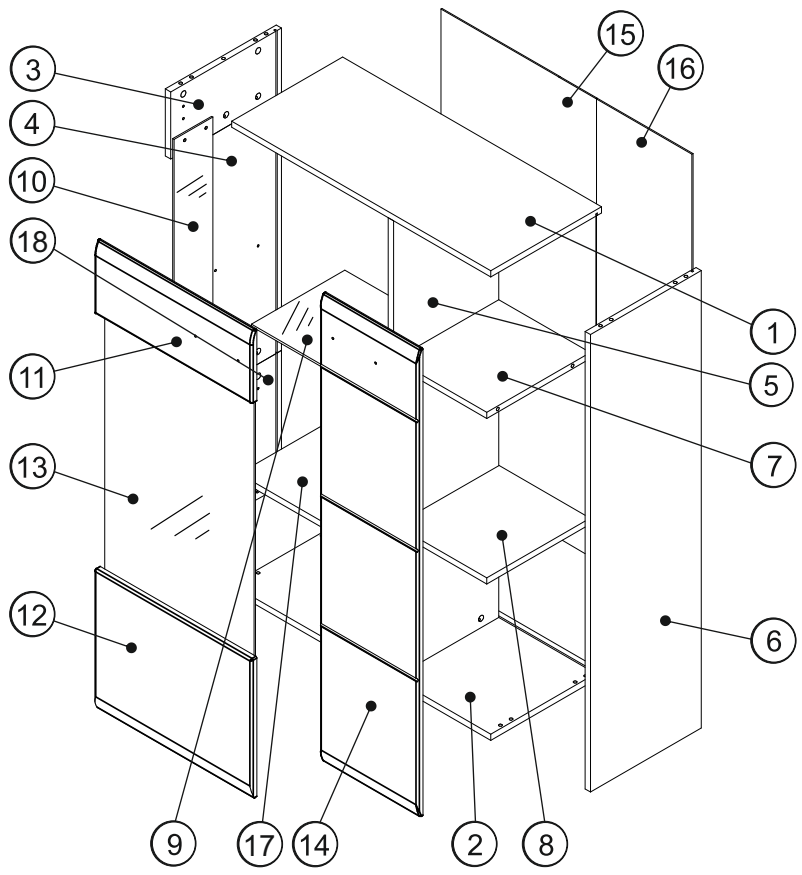
↑↓ 1238 ↔ 776 ↗↘ 348

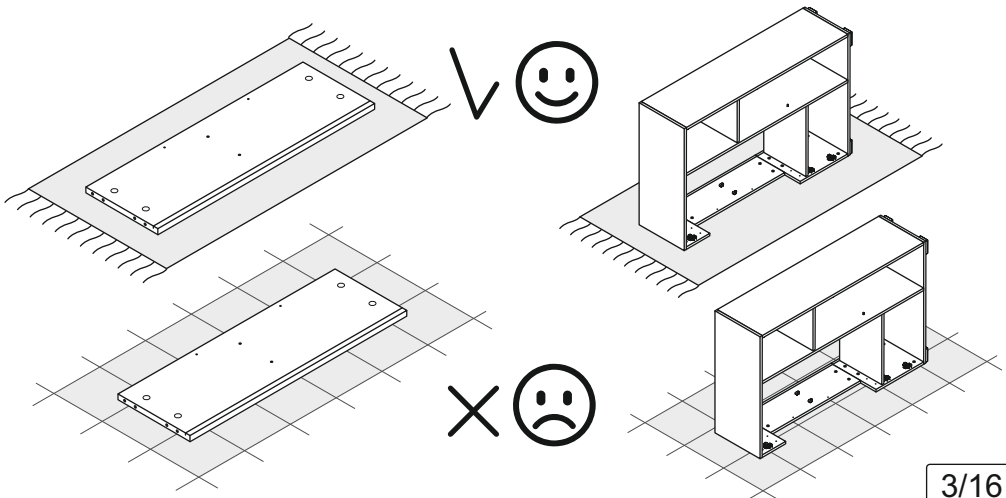
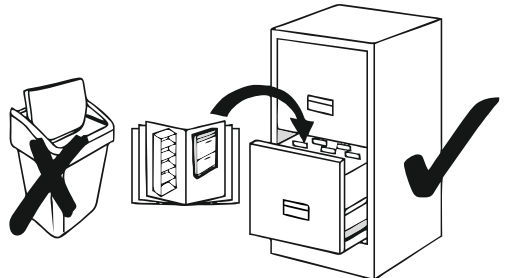
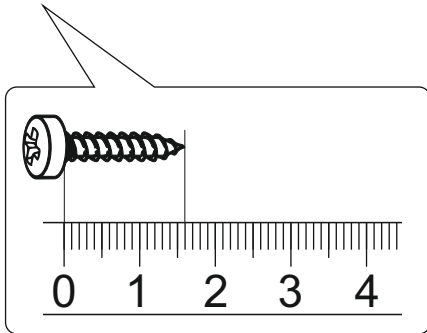
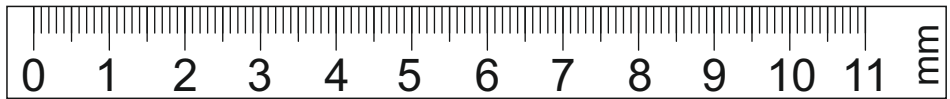
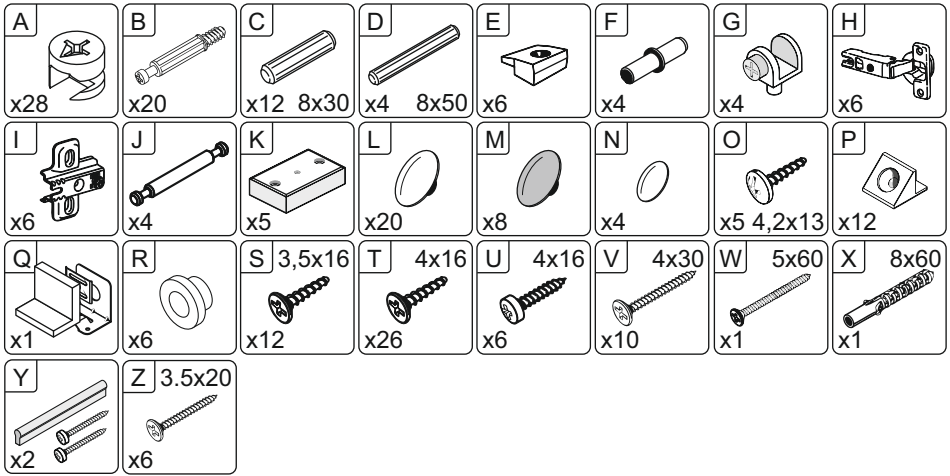




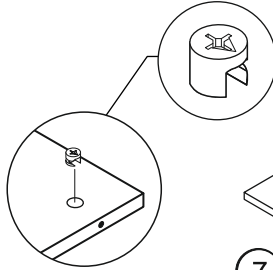
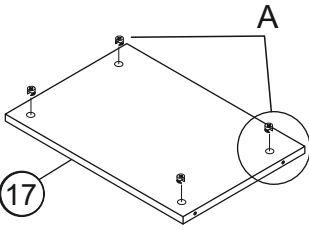
3/4

#		↔	↗		
1	1	775	332	16	3/4
2	1	775	332	16	3/4
3	1	174	332	16	3/4
4	1	662	220	16	3/4
5	1	1186	315	16	3/4
6	1	1186	332	16	3/4
7	1	274	310	16	3/4
8	1	272	305	16	3/4
9	1	443	280	5	0/0
10	1	720	122	16	3/4
11	1	188	472	16	4/4
12	1	364	472	16	4/4
13	1	724	450	3	0/0
14	1	1214	295	16	4/4
15	1	1196	464	4	4/4
16	1	1196	286	4	4/4
17	1	452	310	16	3/4
18	1	350	332	16	3/4

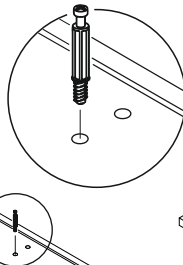
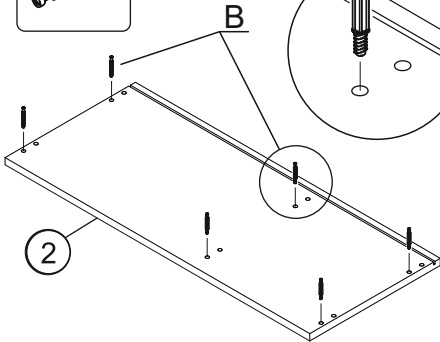




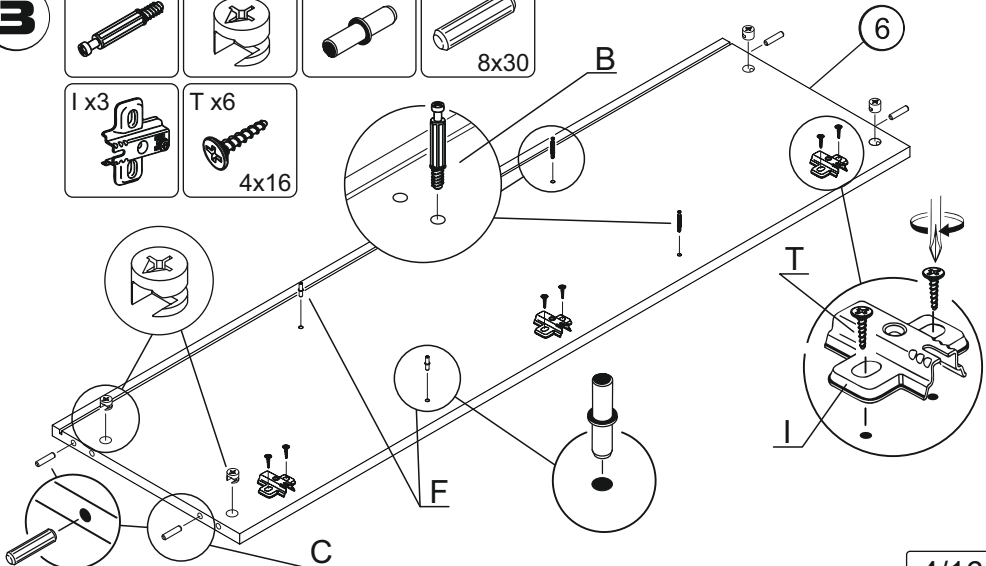
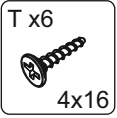
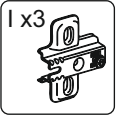
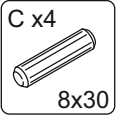
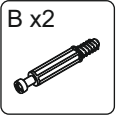
1



2

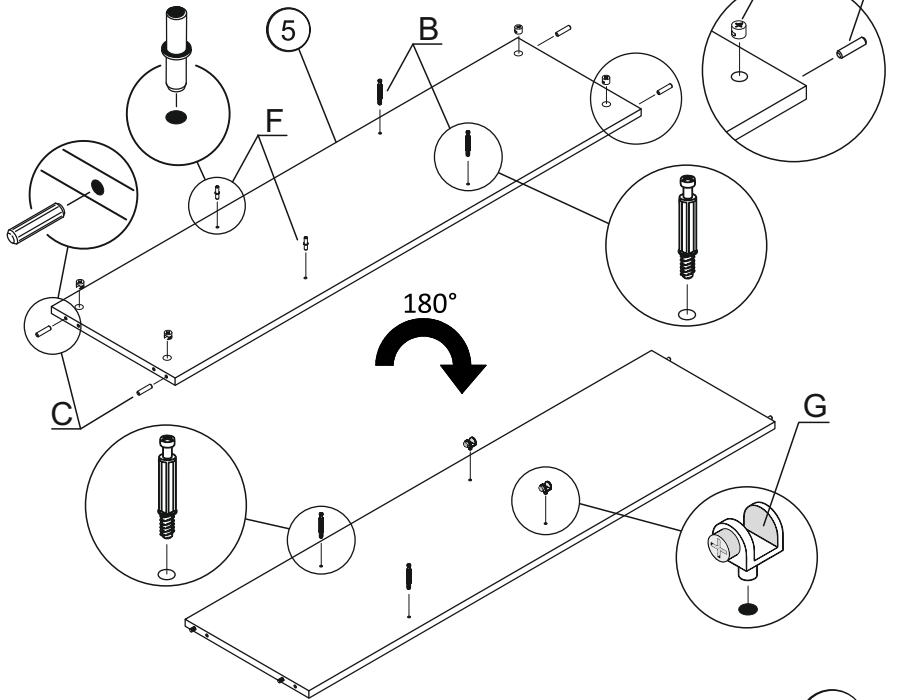


3



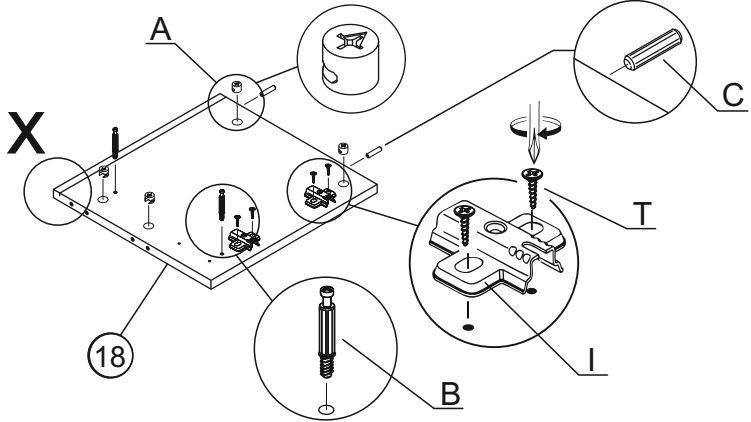
4

- B x2
- A x4
- F x2
- C x4
- G x2

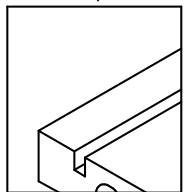
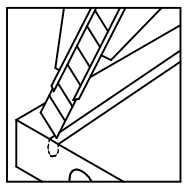


5

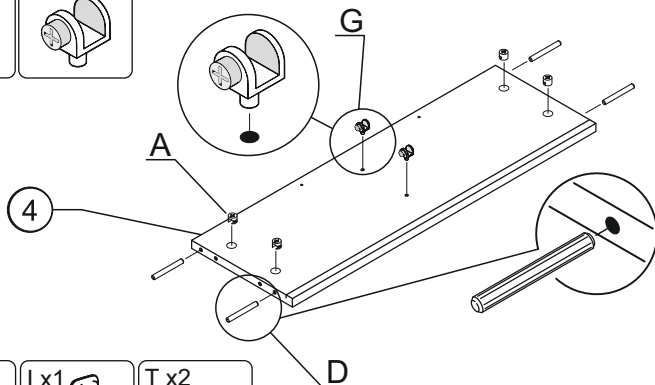
- B x2
- A x4
- I x2
- C x4
- T x4



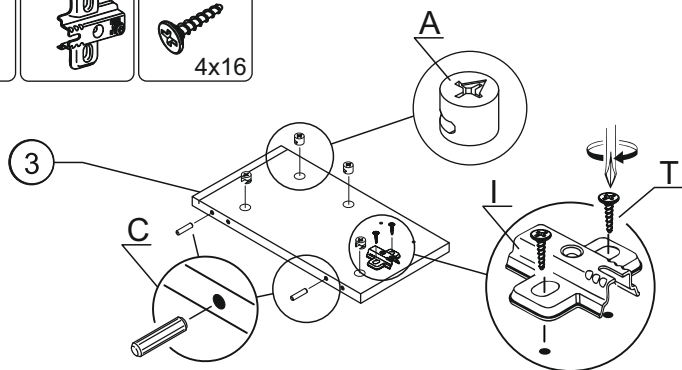
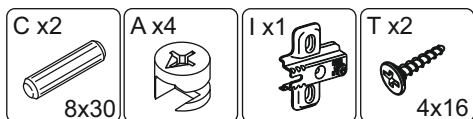
! X



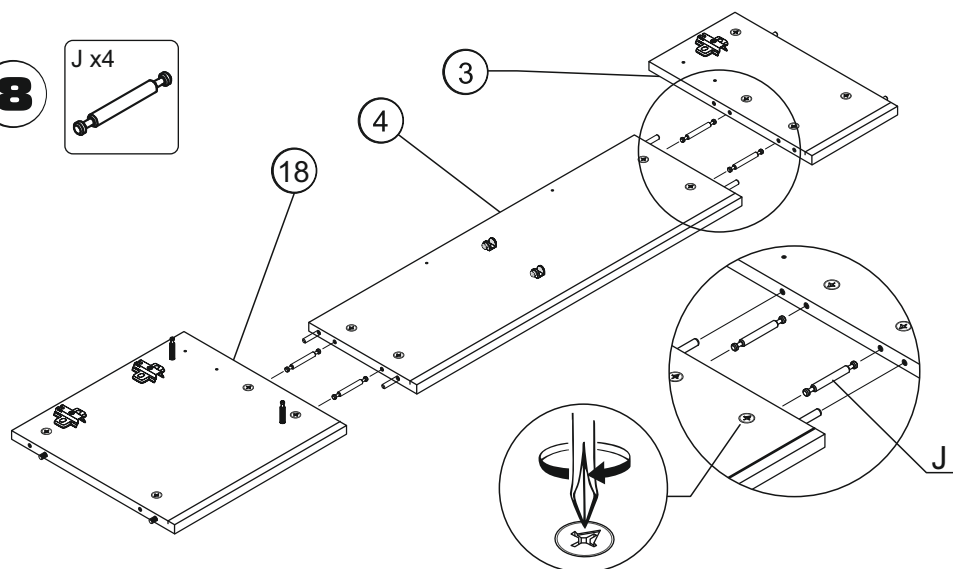
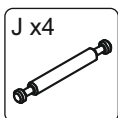
6

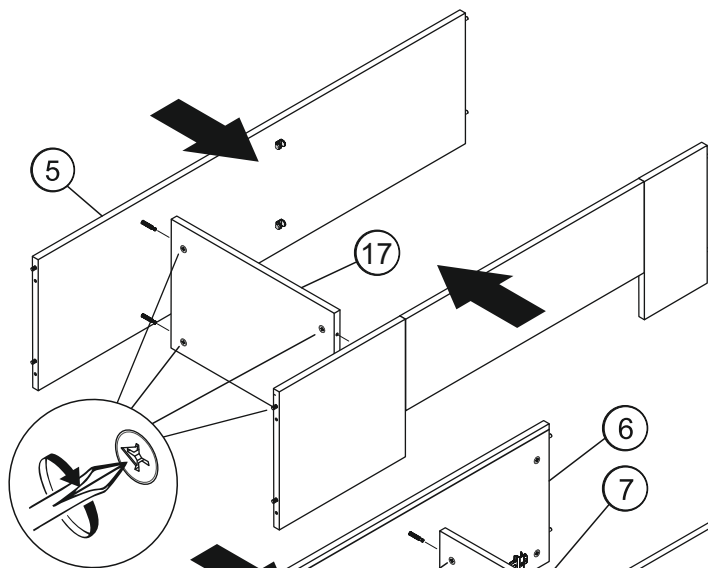
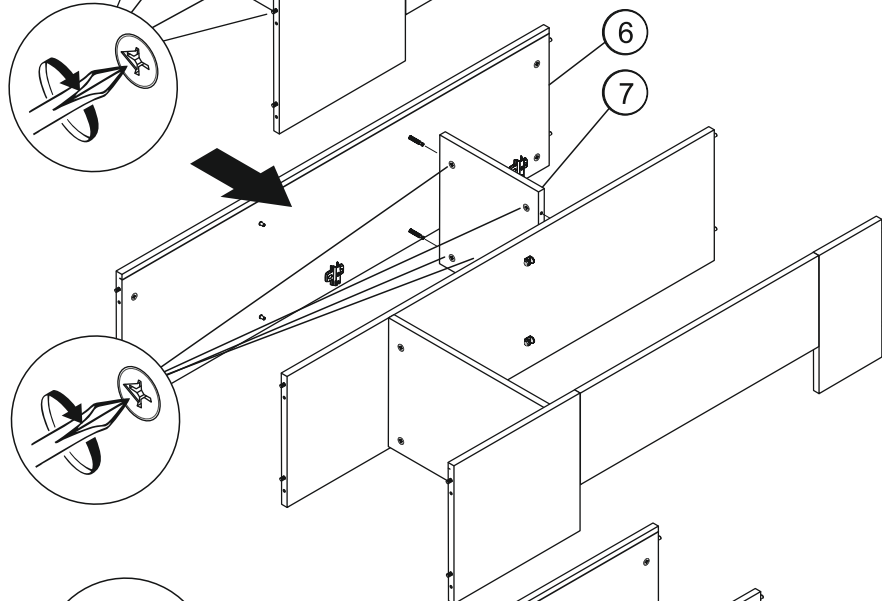
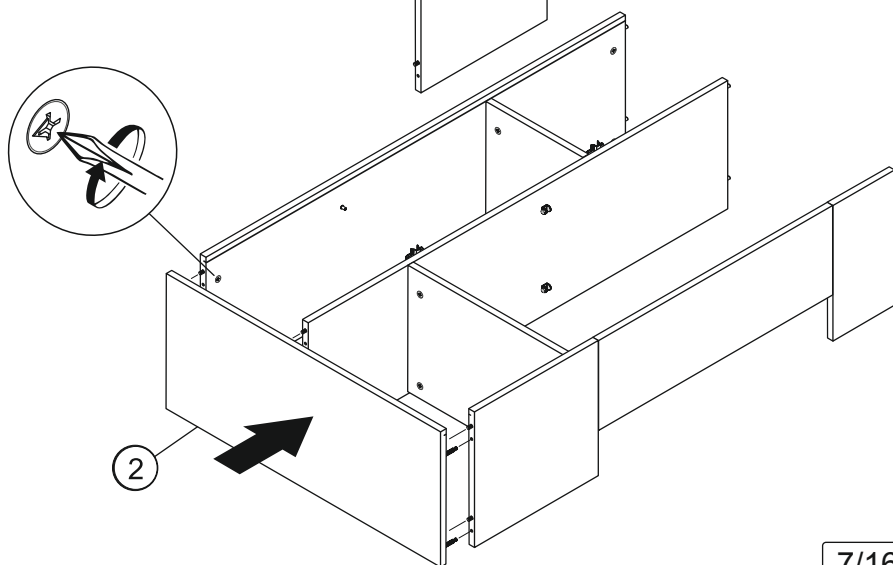


7

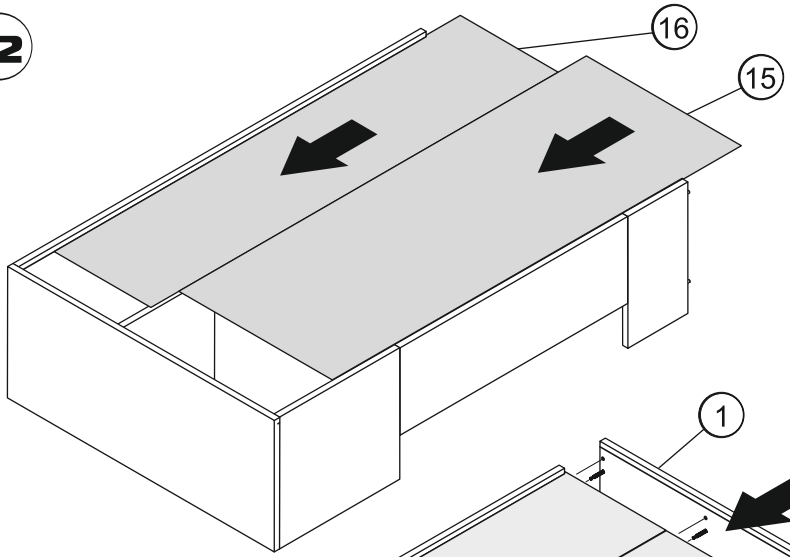


8

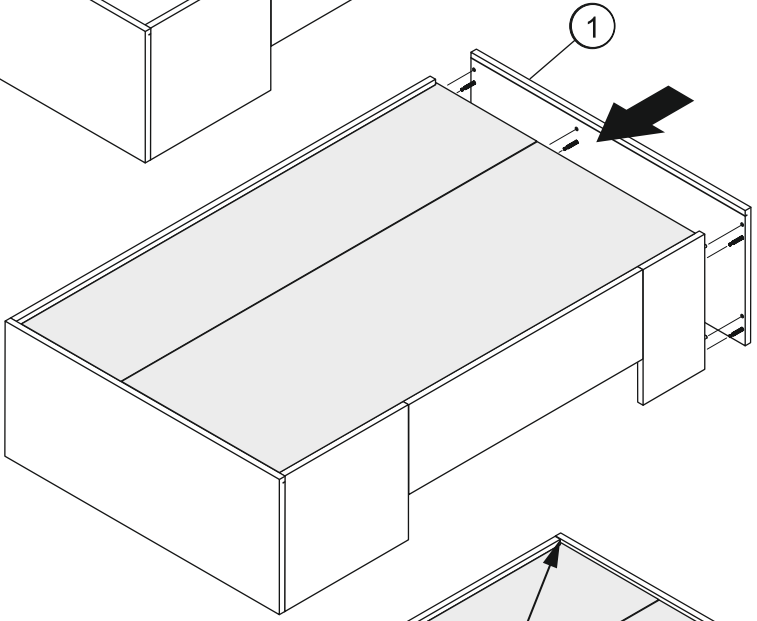


9**10****11**

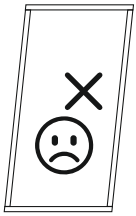
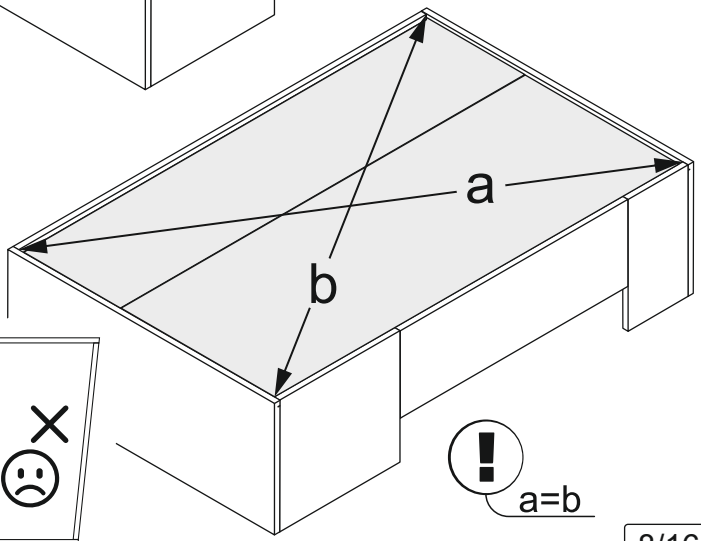
12



13

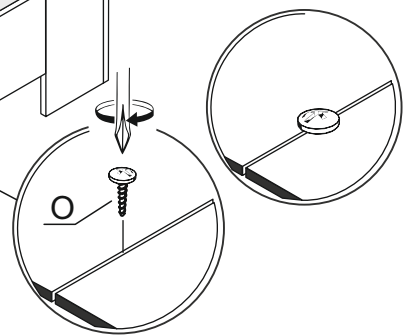
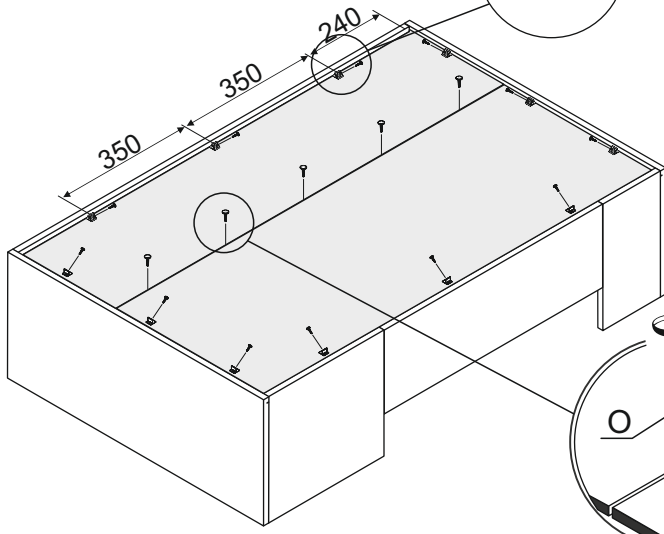
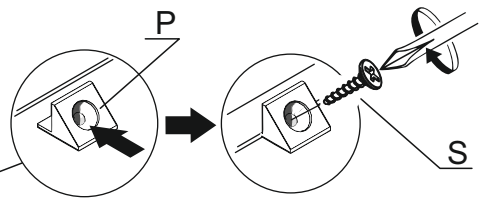
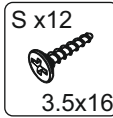
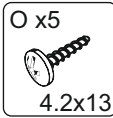
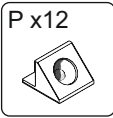


14

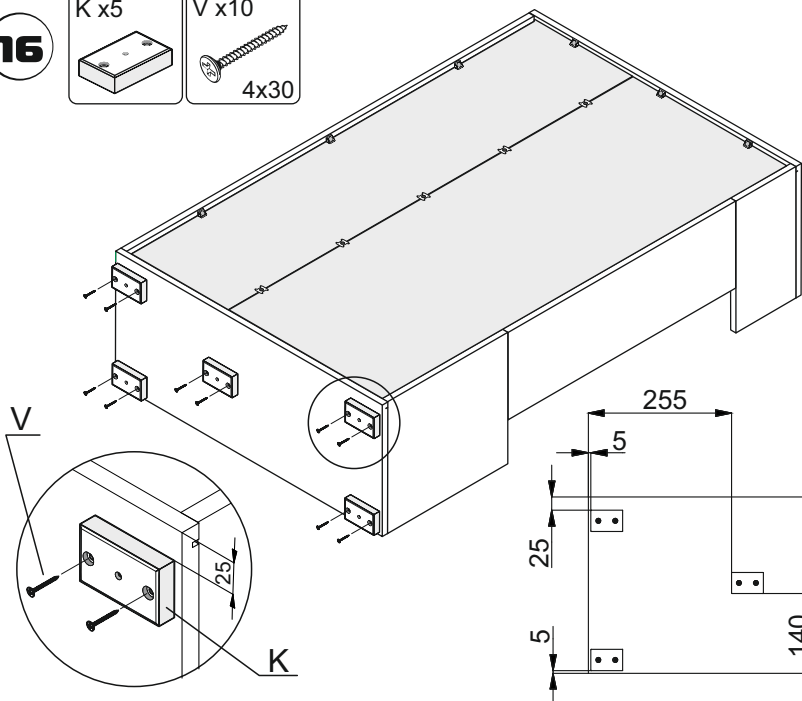
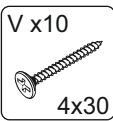
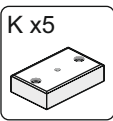


! a=b

15



16



17

E x4

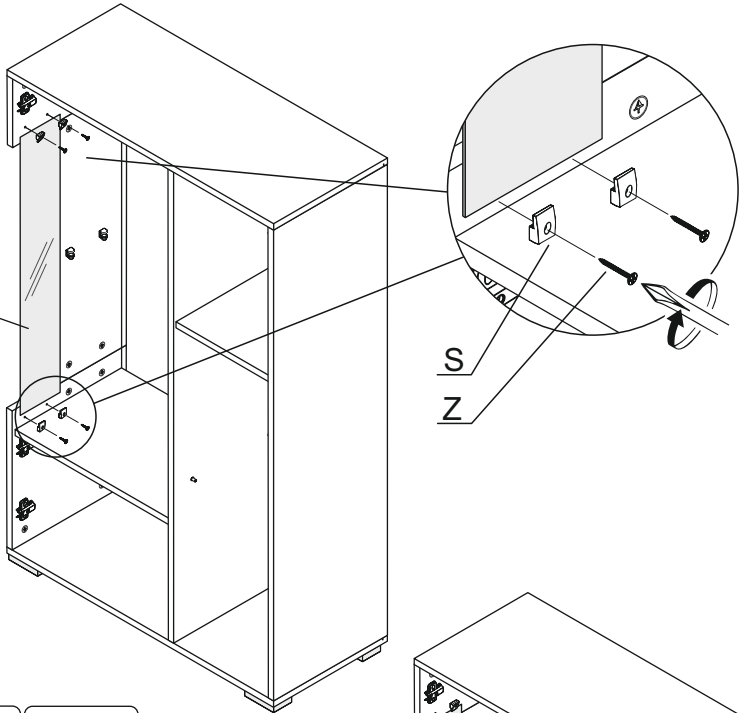


Z x4



3,5x20

10



18

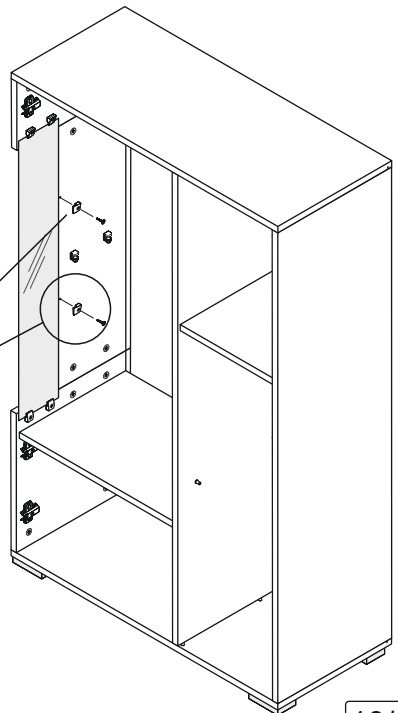
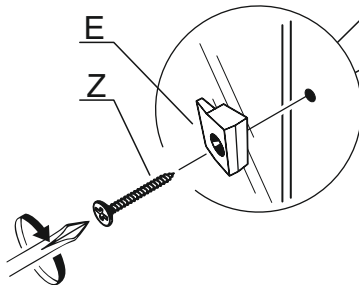
E x2



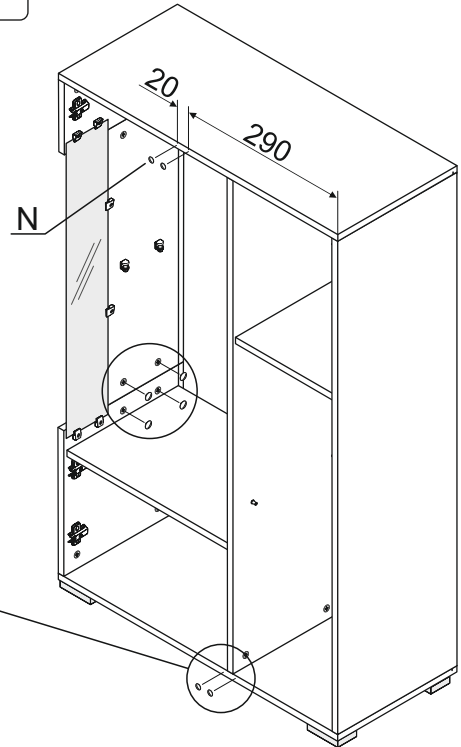
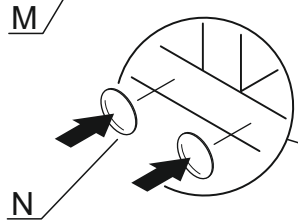
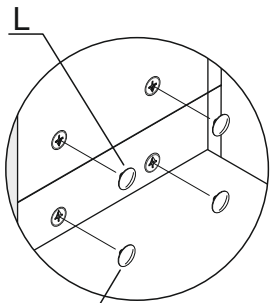
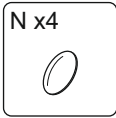
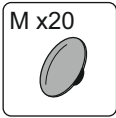
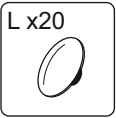
Z x2



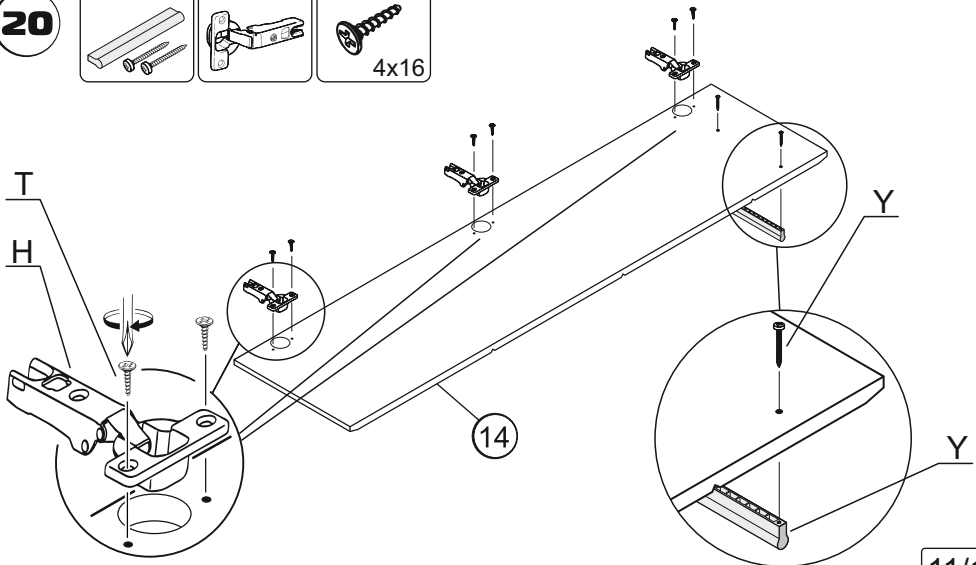
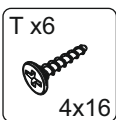
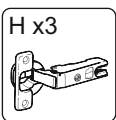
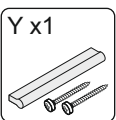
3,5x20



19



20



21

R x6



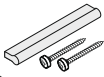
U x6



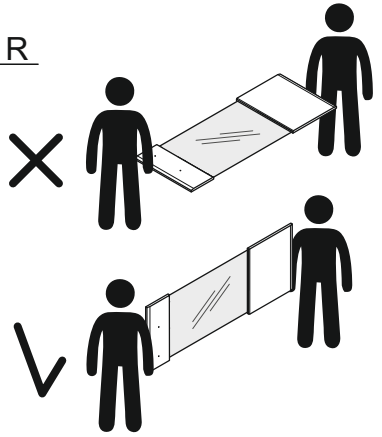
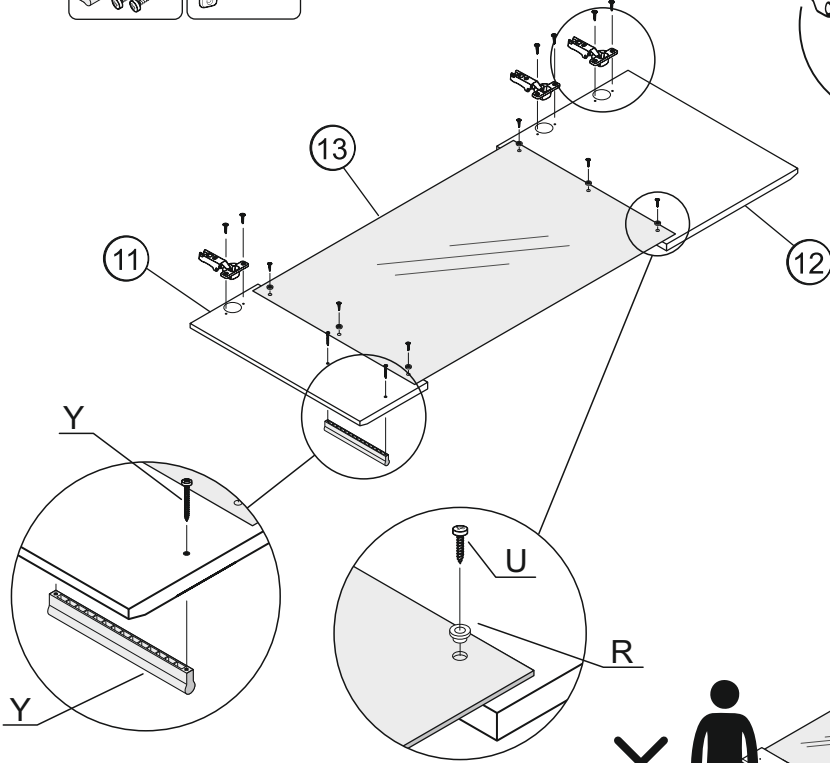
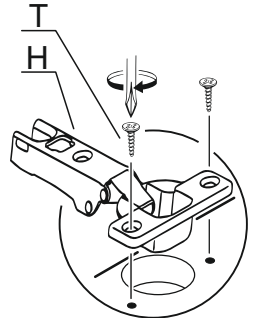
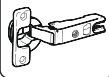
T x6



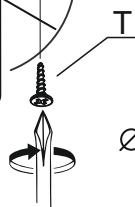
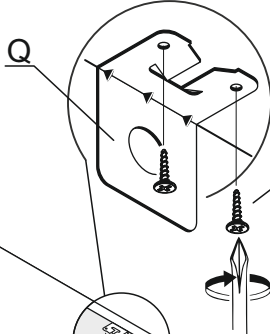
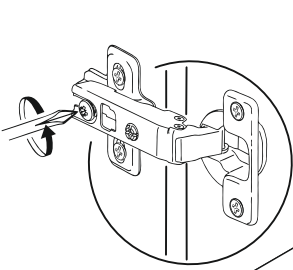
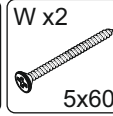
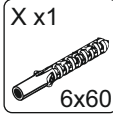
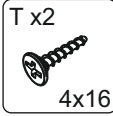
Y x1



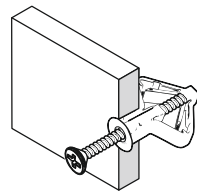
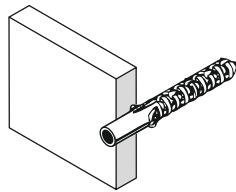
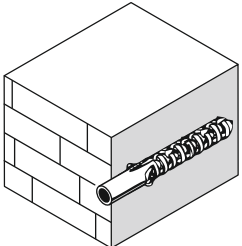
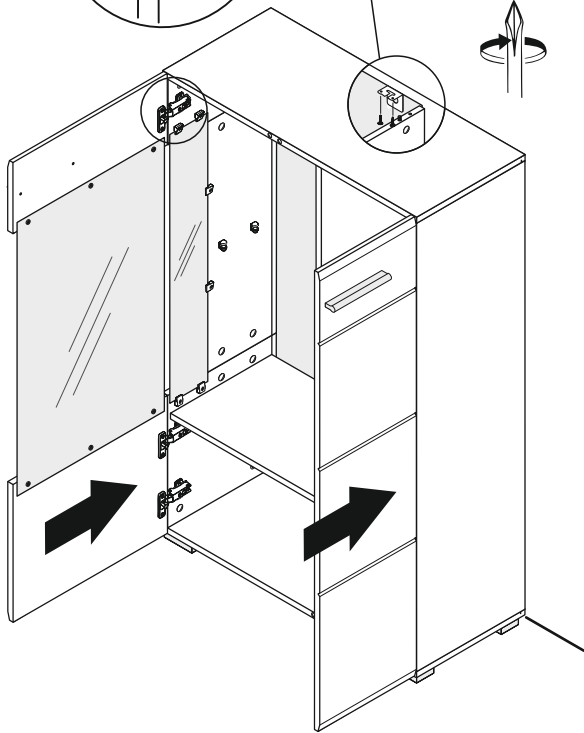
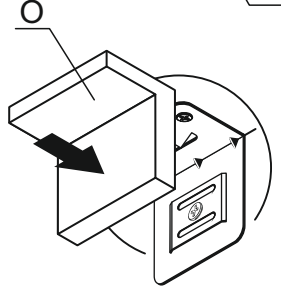
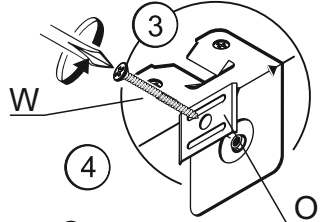
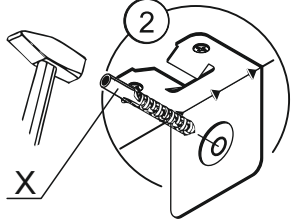
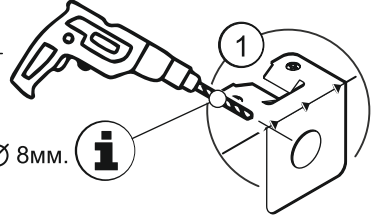
H x3



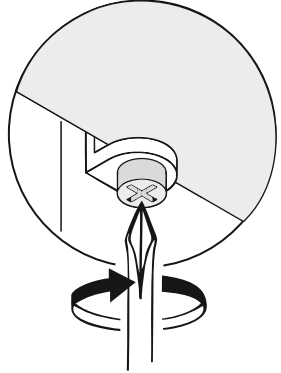
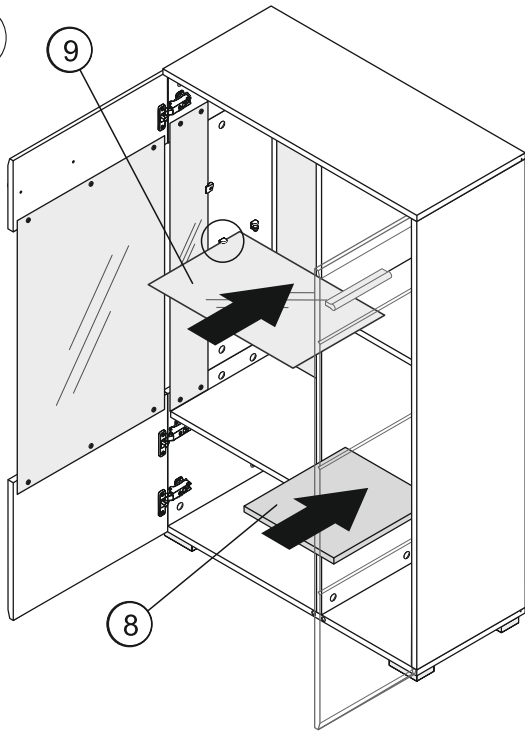
22



Ø 8MM.



23



24

