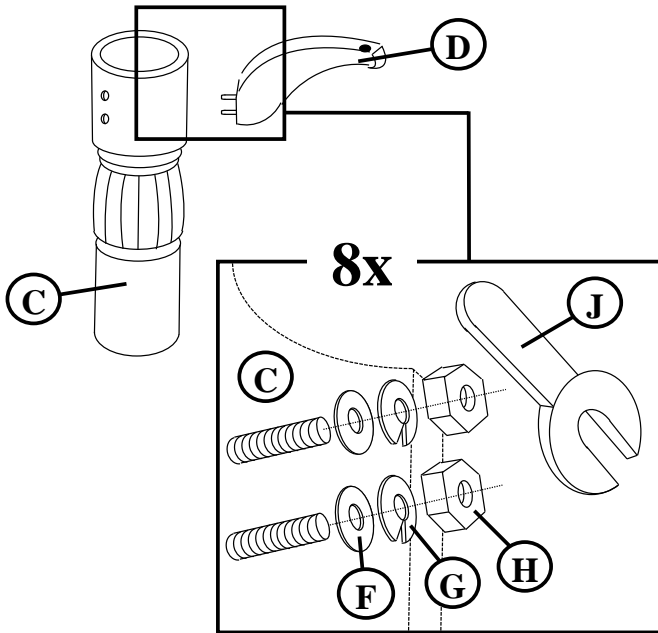


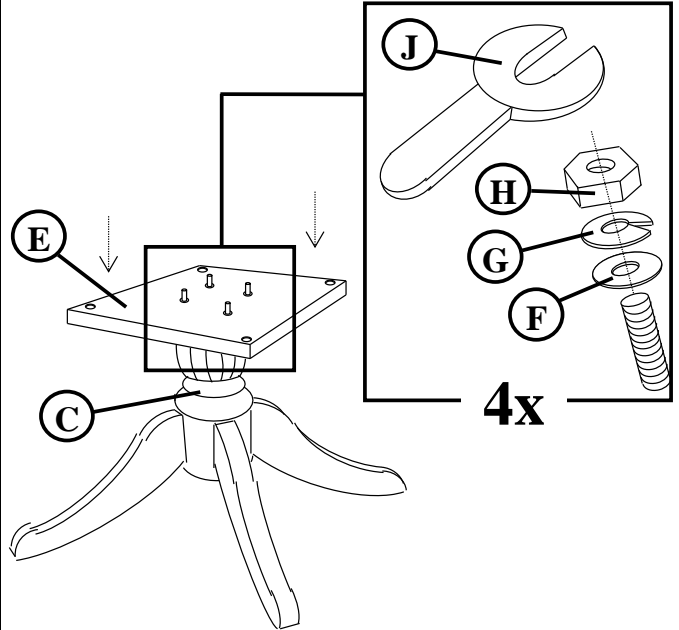
# ASSEMBLY INSTRUCTIONS

## MODEL: LEONARDO 107CM ROUND EXTENSION TABLE

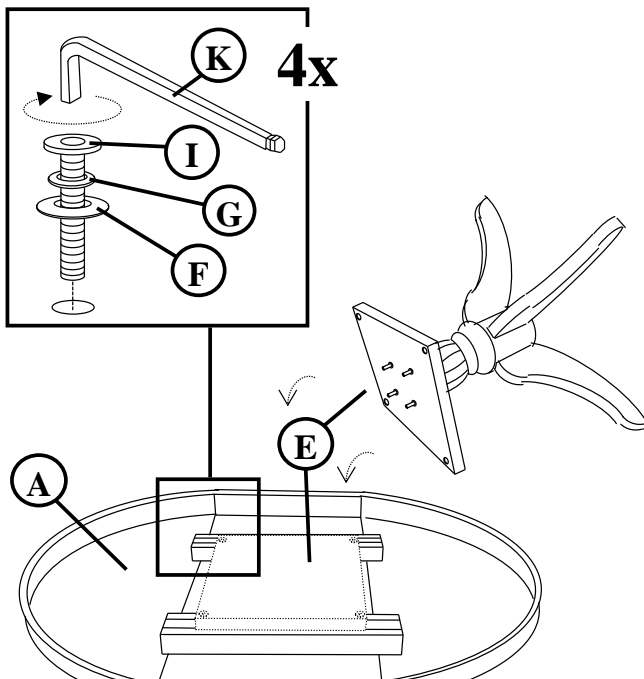
**Step 1** Insert the Empire Legs's (D) hanger bolts into Pedestal Post (C). Then, insert Flat Washer (F), Spring Washer (G) and Hex Nut (H) into hanger bolts. Tighten the Hex Nut by using Spanner (J).



**Step 2** Put Wooden Mounting Plate (E) onto the Pedestal Post (C). Then, insert Flat Washer (F), Spring Washer (G) and Hex Nut (H) into hanger bolts. Tighten the Hex Nut by using Spanner (J).



**Step 3** Place the Pedestal Post (C) to which Wooden Mounting Plate (E) has been attached up-side-down on the Wooden Mounting Plate found under the Table Top (A).



**Step 4** To extend / close table

