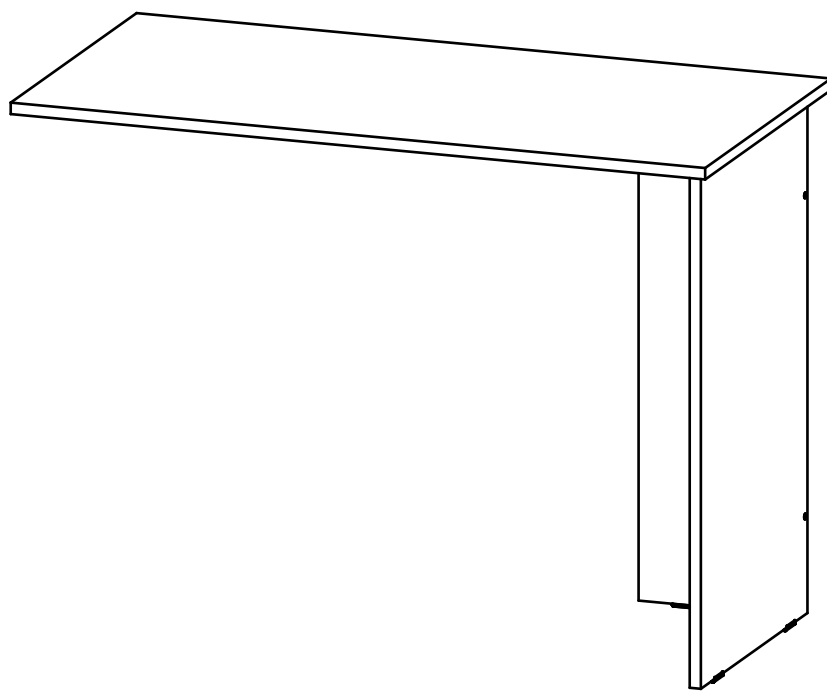
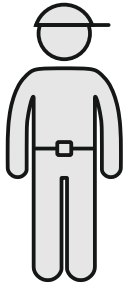


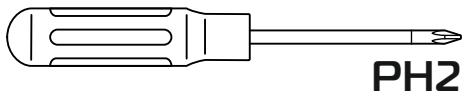
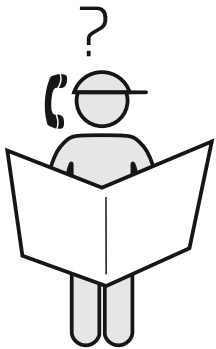
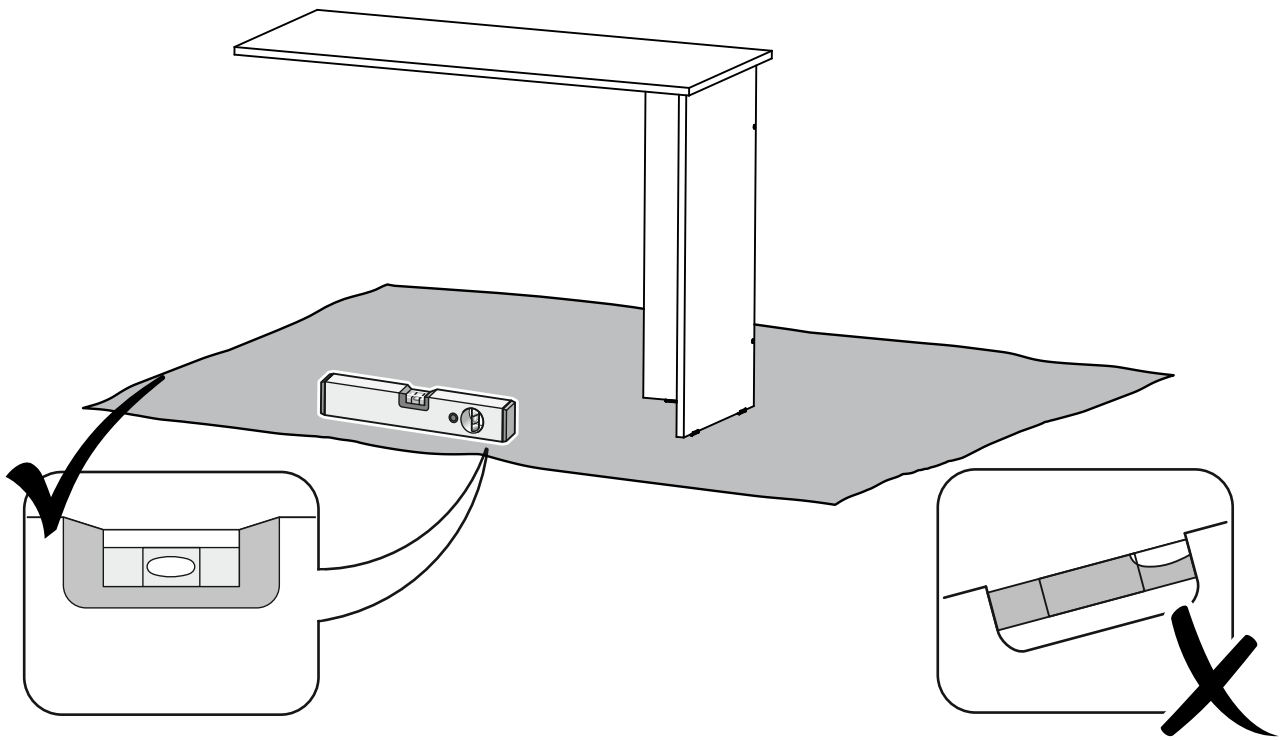
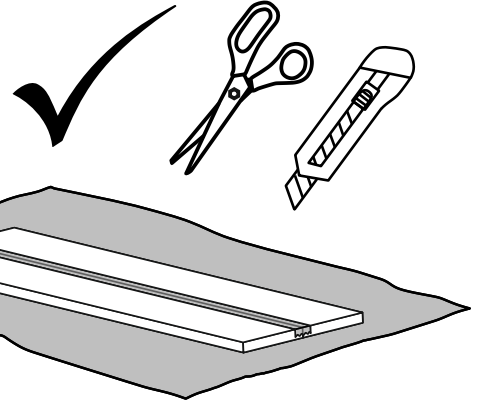
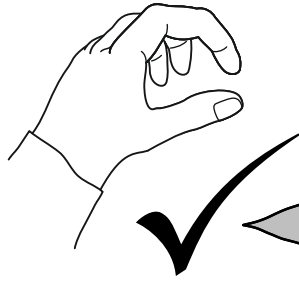
**ПРАЙМ-10**

**PRAIM-10**

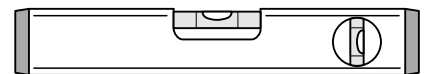
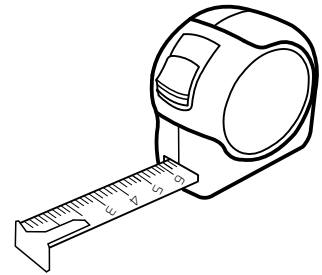
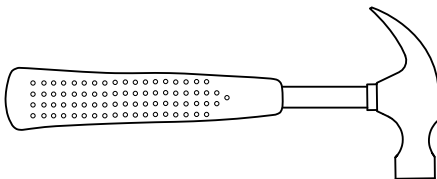


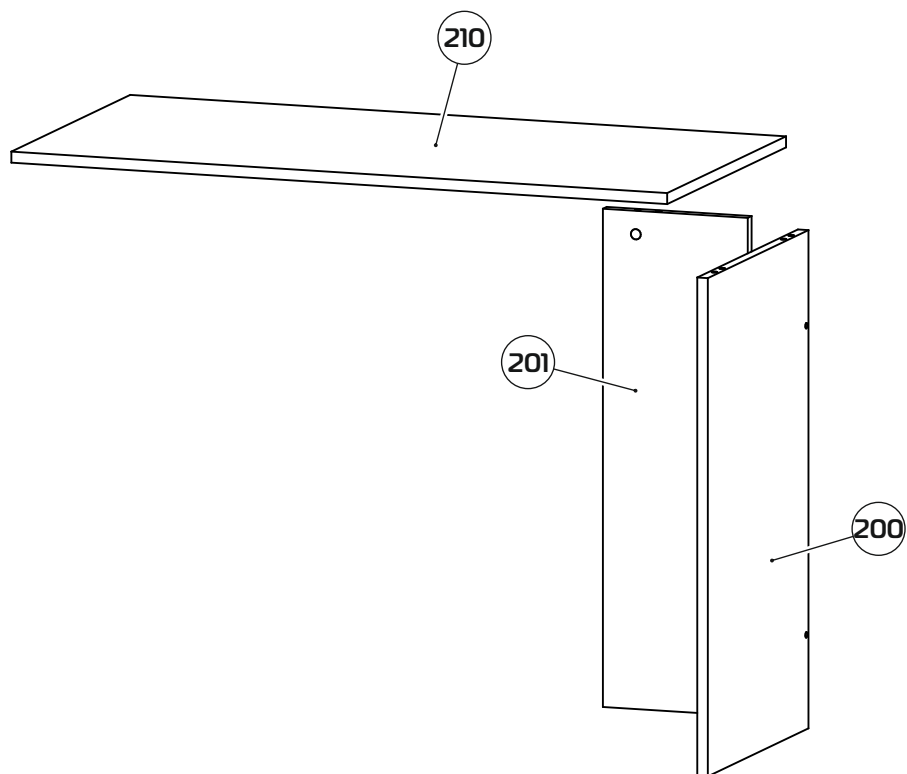


15-30 min



PH2



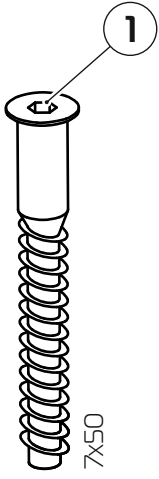


210 996x496x16 (x1)

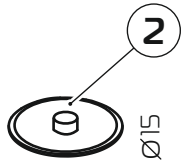
200 722x420x16 (x1)

201 722x220x16 (x1)

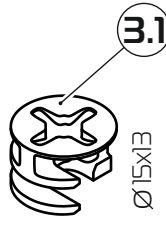
1:1



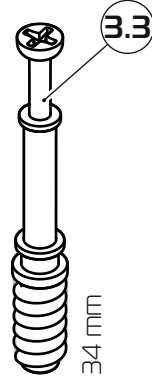
x2



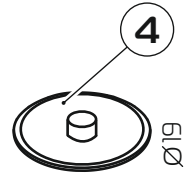
x2



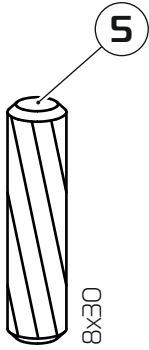
x3



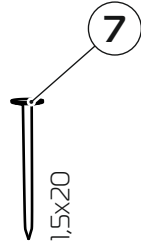
x3



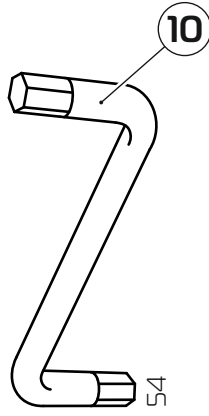
x3



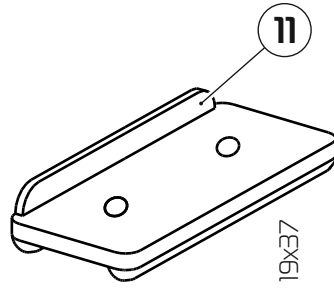
x3



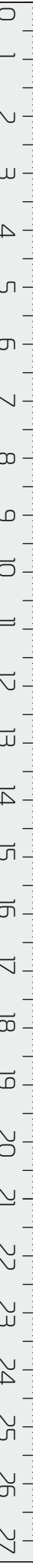
x6



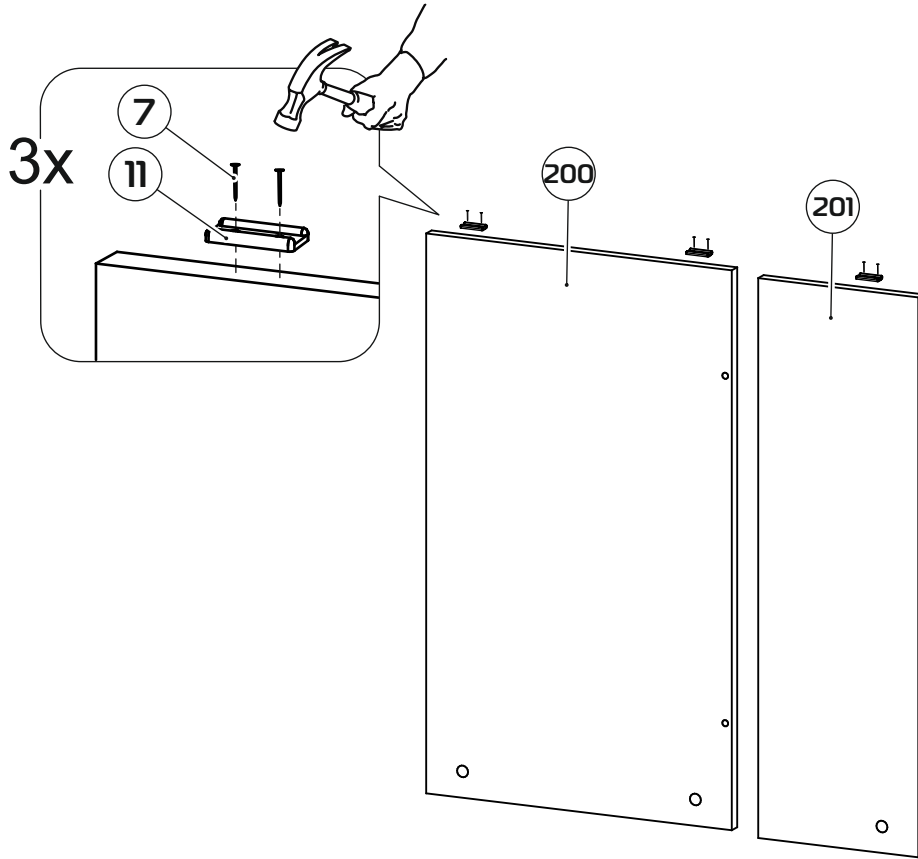
x1



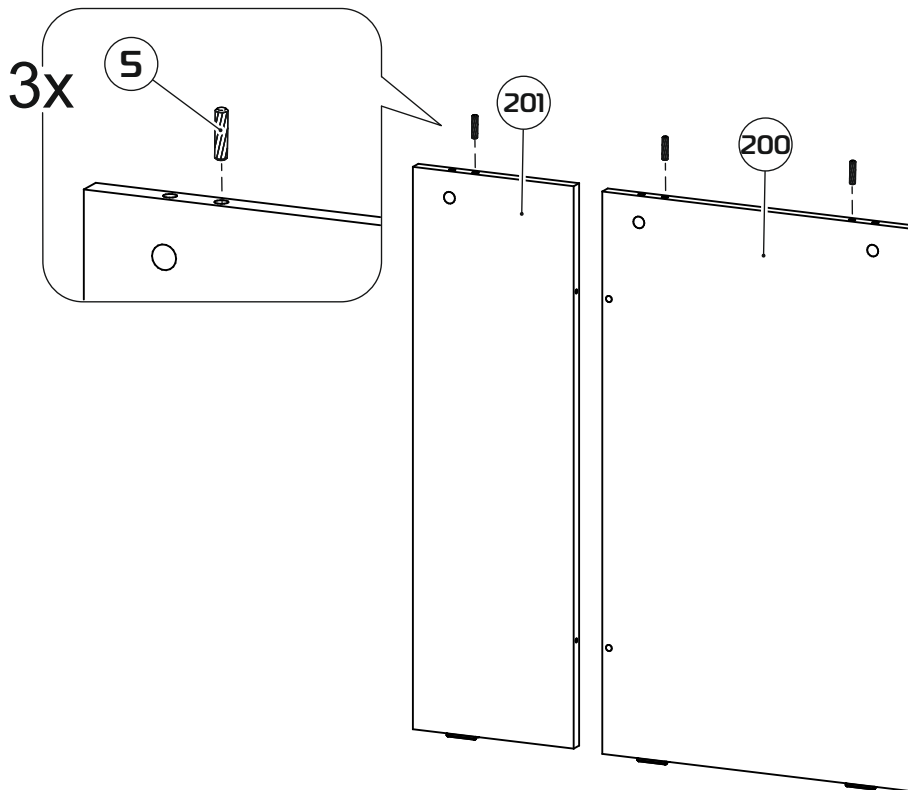
x3



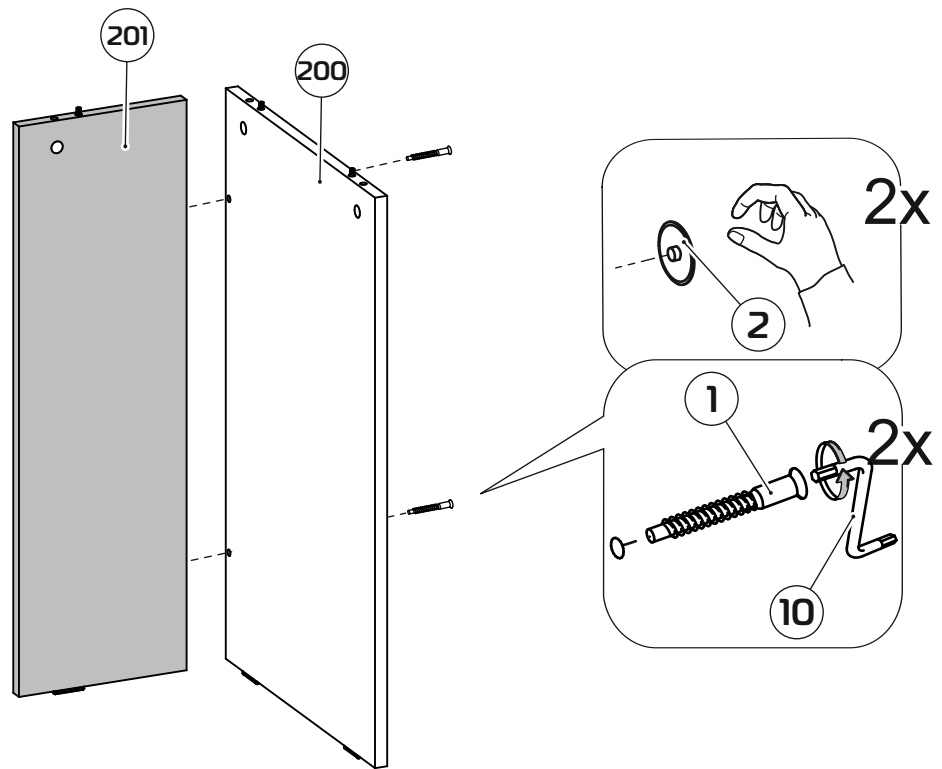
1



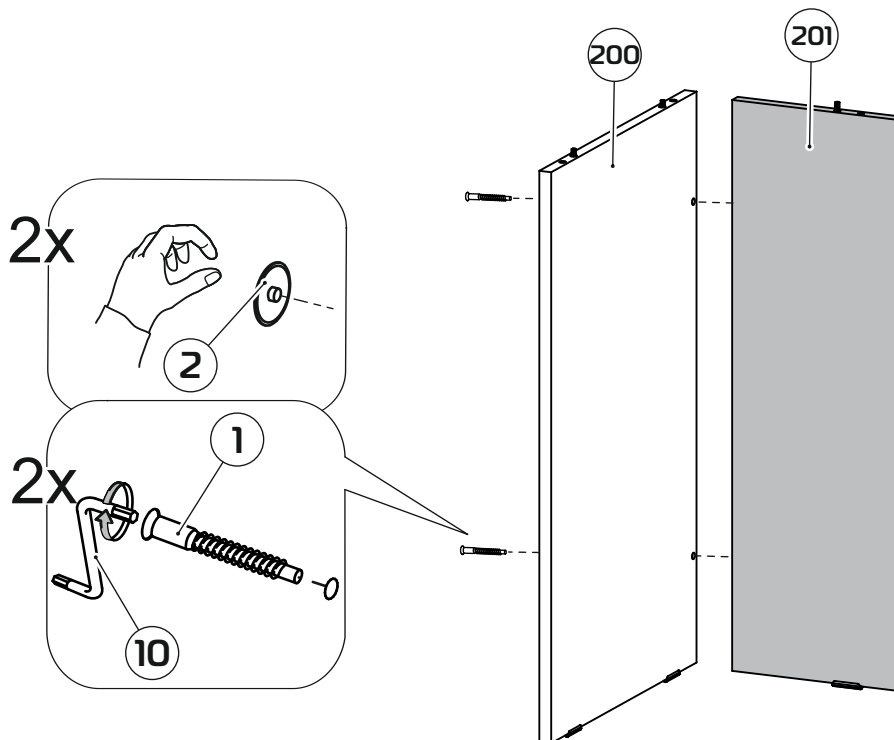
2



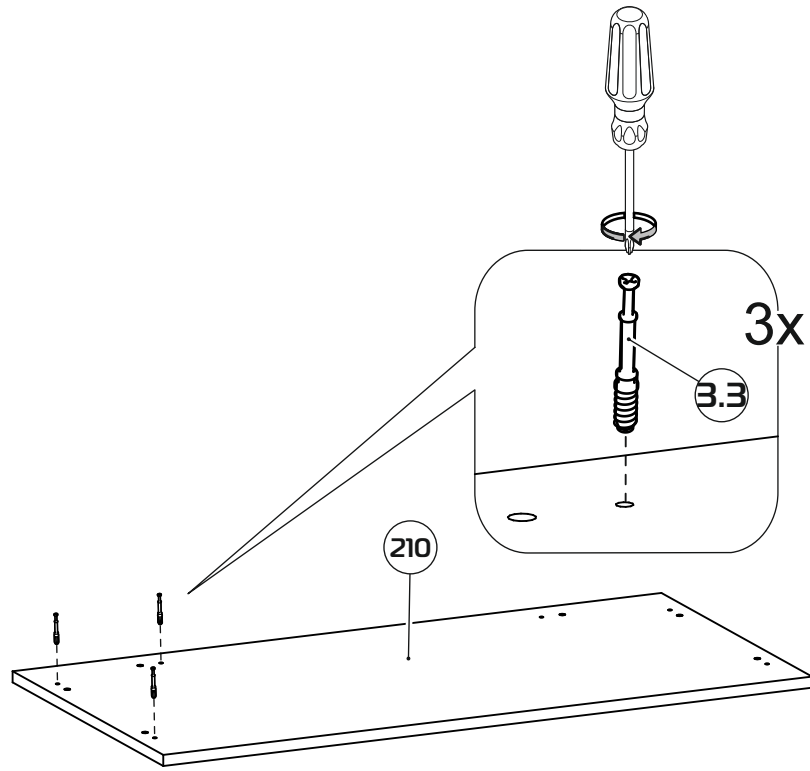
# 3a



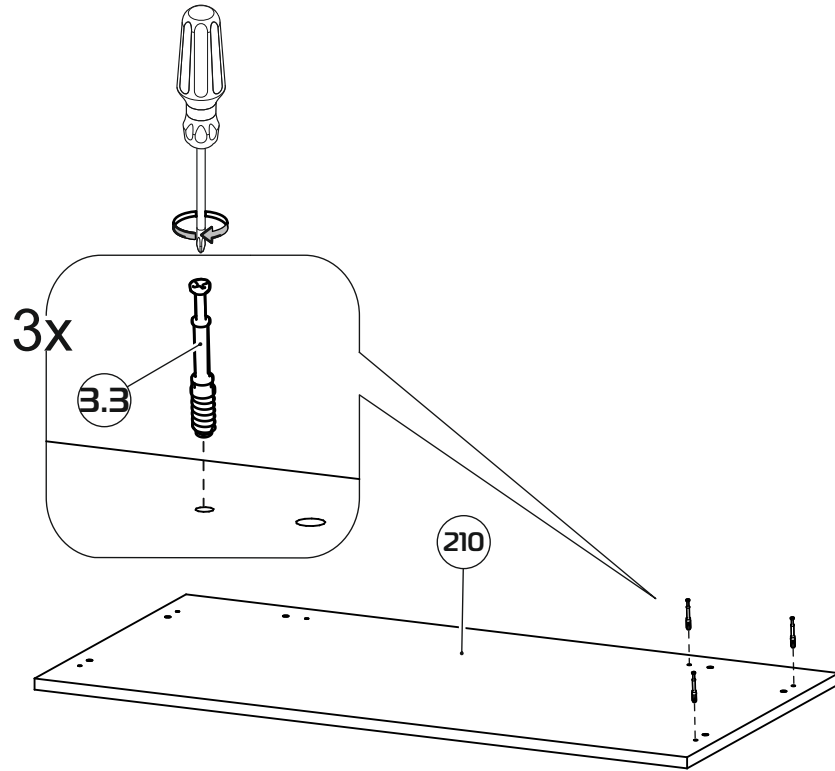
# 3b



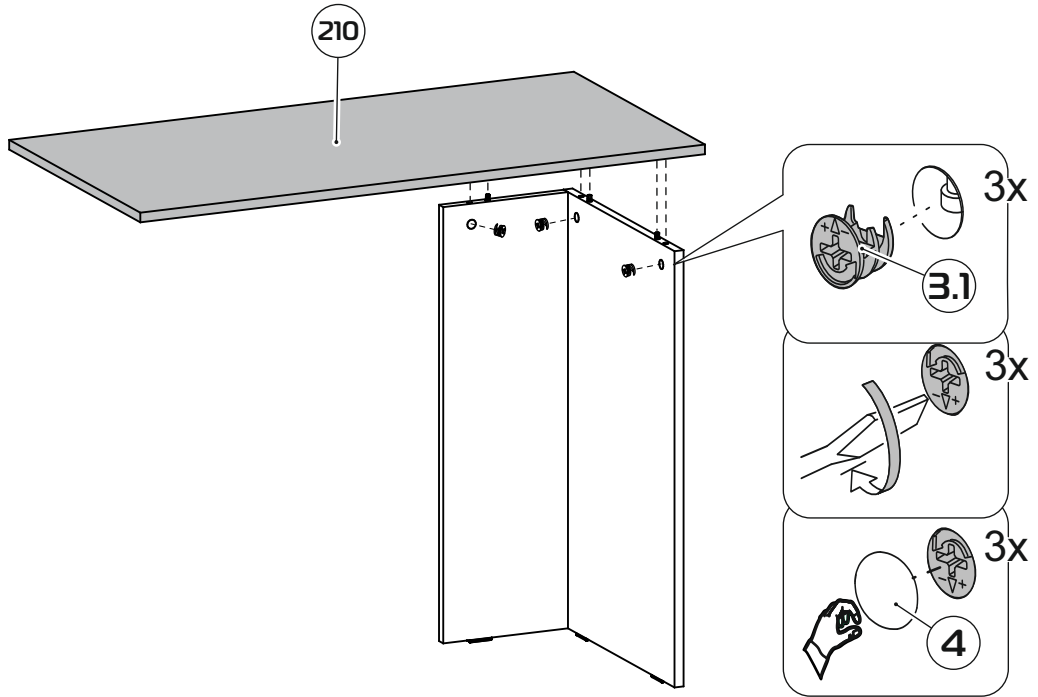
4a



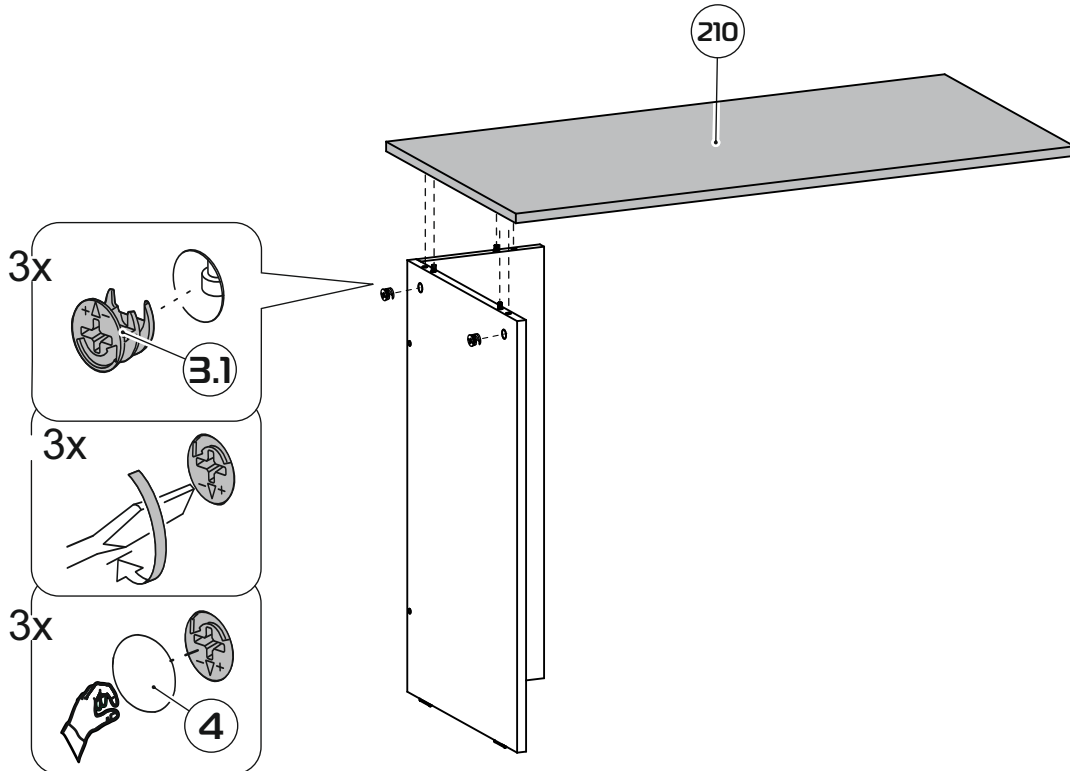
4b



# 5a

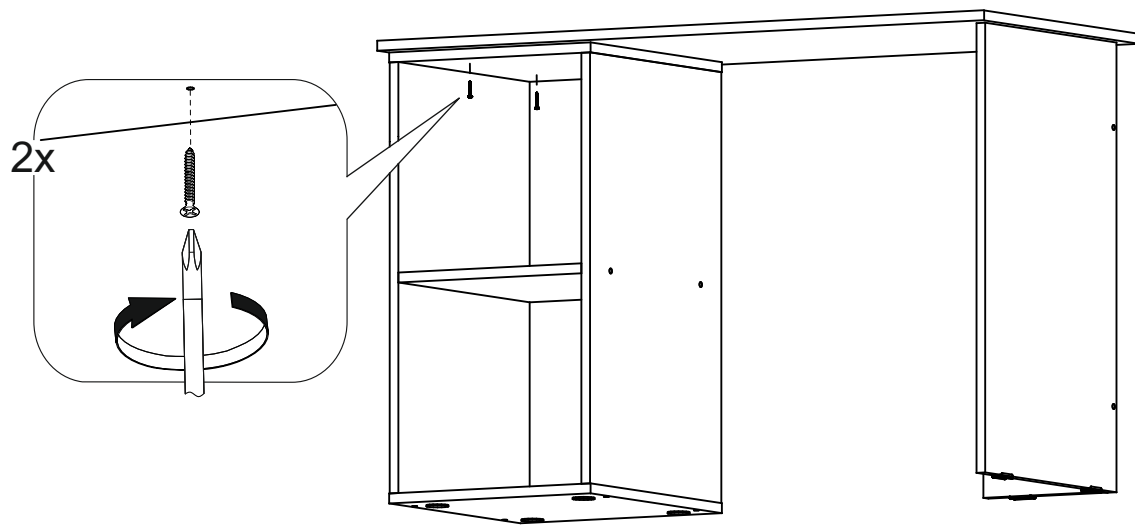


# 5b





6a



6b

